



Model No.

X0802512Y / X0802524Y

80x80x25mm

Frame and Impeller Material :
Plastic (UL 94V-O)

Bearing system :
Ball Bearing (B)
Sleeve Bearing (S)
Fluid Dynamic Bearing (FDB)

Lead Wires :
UL 1007 AWG 28 or equivalent.
Red:+, Black:-

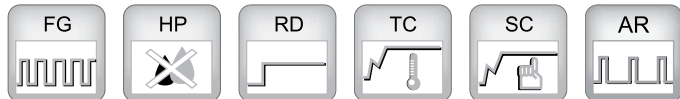
Model No. :

X0802512Y/X0802524Y

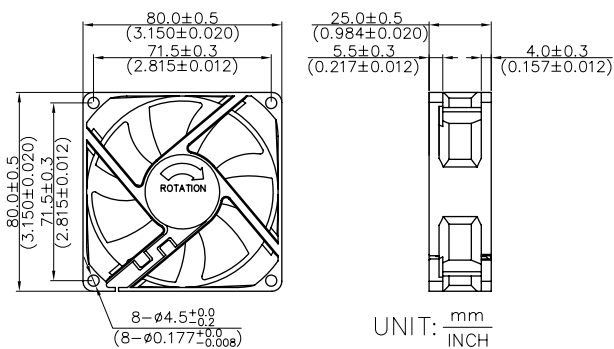
X=Bearing System, can be B, S, or FDB type..

Y=Fan speed, can be L, M or H.

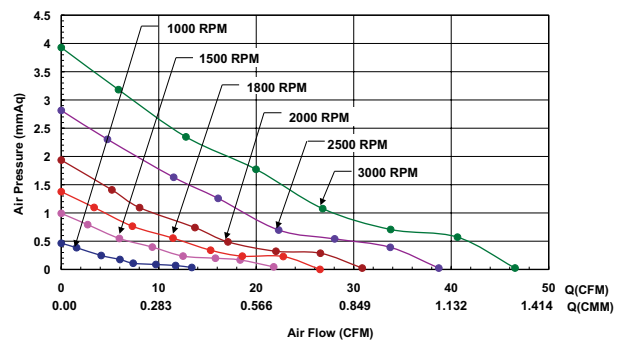
Net Weight :
70g



OUTLINE



CHARACTERISTIC CURVES



SPECIFICATIONS

Item Model No.	Operating Voltage Range	Rated Voltage	Rated Current	Rated Input Power	Speed	Max Air Flow		Max Air Pressure		Noise
	V _{DC}	V	Amp	Watt	R.P.M	m ³ /min	CFM	mmH ₂ O	inH ₂ O	dBA
B/FDB/S01138812L	6~13.8	12	0.12	1.44	2000	0.75	26.54	1.55	0.06	21.0
B/FDB/S01138812M	6~13.8	12	0.17	2.04	2500	0.92	32.37	3.26	0.13	27.4
B/FDB/S01138812H	6~13.8	12	0.23	2.76	3000	1.13	39.80	3.58	0.14	32.6
B/FDB/S0802512L	6~13.8	12	0.12	1.44	2000	0.75	26.54	1.55	0.06	21.0
B/FDB/S0802512M	6~13.8	12	0.17	2.04	2500	0.92	32.37	3.26	0.13	27.4
B/FDB/S0802512H	6~13.8	12	0.23	2.76	3000	1.13	39.80	3.58	0.14	32.6
B/S01138824L	21.6~26.4	24	0.08	1.92	2000	0.87	30.60	1.86	0.07	20.6
B/S01138824M	21.6~26.4	24	0.1	2.40	2500	1.08	38.18	2.7	0.11	26.0
B/S01138824H	21.6~26.4	24	0.17	4.08	3000	1.30	46.04	3.77	0.15	30.2